

ASSEMBLY INSTRUCTIONS FOR SUPER STEEL TRASH CAN CART

Customer service: 1-800-835-4099

SUGGESTED TOOLS:

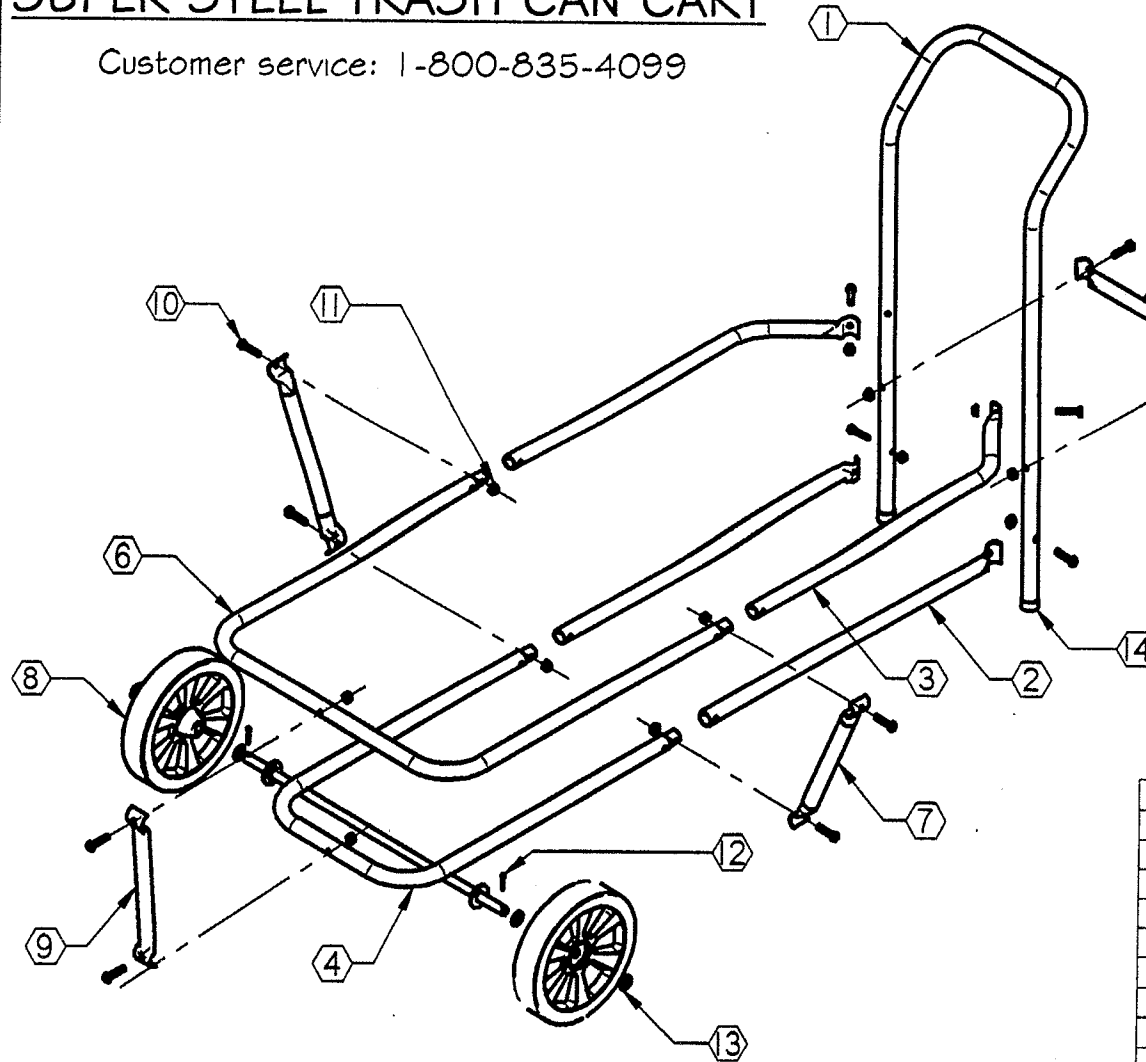
1. 7/16" WRENCH
2. 7/16" SOCKET AND RATCHET
3. PLIERS

SUGGESTED ASSEMBLY

NOTE: DO NOT TIGHTEN NUTS UNTIL FULLY ASSEMBLED. ITEMS #9 & #5 ARE VERY SIMILAR. #9 IS SHORTER THAN #5. REFER TO ILLUSTRATION WITH EACH STEP.

STEPS:

1. SLIDE ITEMS ONTO ONE SIDE OF AXLE: #13, #8, #13 AND PLACE #12 IN HOLE AND BEND UNTIL SECURE.
2. REPEAT STEP 1 ON OTHER SIDE.
3. SLIDE #2 ONTO #4 AND ALIGN WITH #7. SECURE WITH #10 BOLT AND #11 NUT.
4. REPEAT STEP 3 ON OTHER SIDE.
5. SECURE #5 ONTO #1 WITH (2) EACH #10 BOLTS AND #11 NUTS.
6. BOLT HANDLE #1 ONTO #2 (BOTH SIDES) WITH (2) EACH #10 BOLTS AND #11 NUTS.
7. SLIDE #3 ONTO #6 AND SECURE TO #7 AND #1 WITH (4) EACH #10 BOLTS AND #11 NUTS.
8. BOLT #9 ONTO #4 AND #6 WITH (2) EACH #10 BOLTS & #11 NUTS.
9. TIGHTEN ALL NUTS AND BOLTS UNTIL SECURE.



CAPACITY:

1. HOLDS TWO 34 GALLON TRASH CANS (CANS NOT INCLUDED)
2. TOTAL WEIGHT CAPACITY 200LBS

Item #	P/N	Title	Qty.
1	FAP TC8	HANDLE	1
2	FAP TC4	LOWER REAR SUPPORT	2
3	FAP TC3	HORIZONTAL SUPPORT	2
4	FAP TC2	LOWER FRONT SUPPORT	1
5	FAP TC5	HORIZONTAL SUPPORT	1
6	FAP TC1	UPPER FRONT SUPPORT	1
7	FAP TC6	VERTICAL SUPPORT	2
8	WH 08	8" WHEEL	2
9	FAP TC7	VERTICAL SUPPORT	1
10	HDW BO RS-1	1/4 x 1 1/4 PLATED HH BOLT ZPS	12
11	HDW N 1420NL	1/4-20 NYLON LOCK NUT ZPS	12
12	HDW P 106-12	Ø1/8 X 3/4 COTTER PIN ZPS	2
13	HDW BU #1	ID 1/2 BUSHING	4
14	MISC TC08	END CAP	2